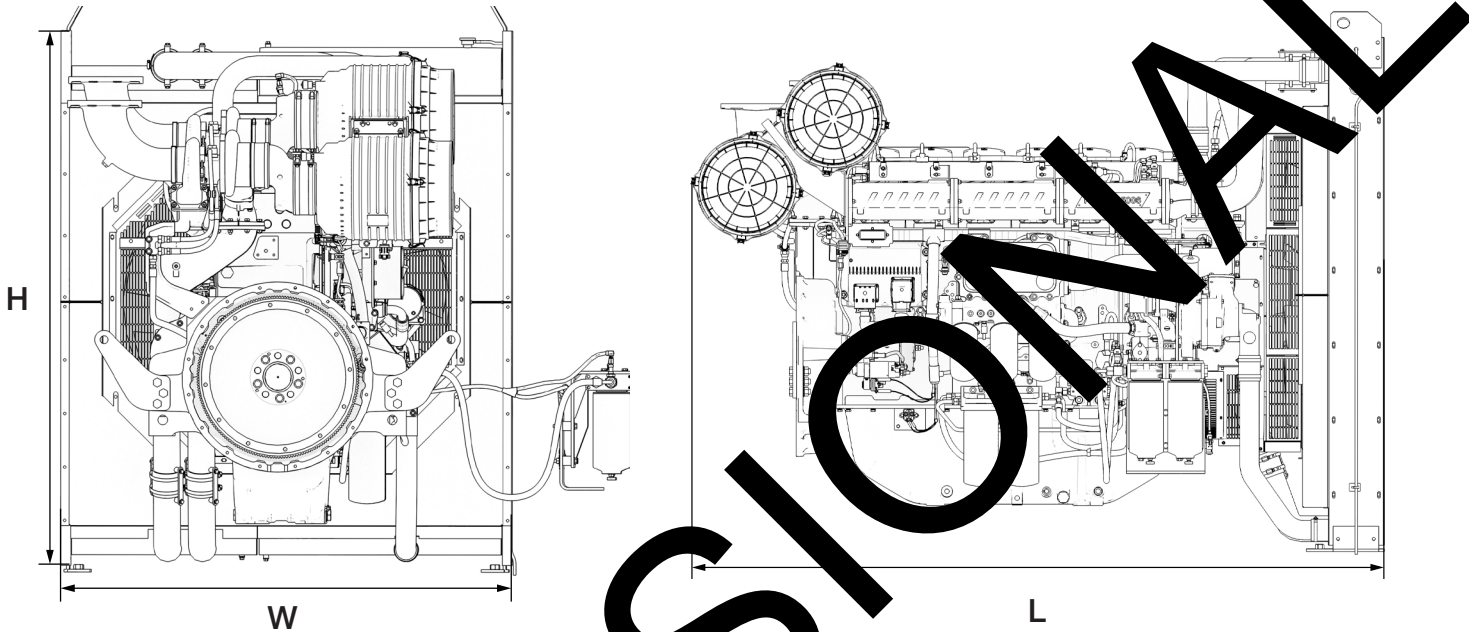


5006AC-E23TAG Electric Power Engines

Power range 1500 rpm 533-788 kW

Emissions Equivalent to U.S. EPA Tier 2

Engine package weights and dimensions



	Model	
	5006AC-E23TAG1 / 5006AC-E23TAG2	
Configuration	Electro unit	ElectropaK
Dimensions, H x L x W, mm (in)	2126 x 2776 x 1446 (83.7 x 109.3 x 57.0)	2126 x 2730 x 1690 (83.7 x 107.4 x 66.5)
Dry Weight, kg (lb)	2405 (5303)	2885 (6361)

Prime power: Unlimited usage with an average load factor of 80 percent of the published prime power over each 24 hour period. A 10 percent overload is available for one hour in every 12 hours operation.

Standby power: Limited to 500 hours usage with an average load factor of 80 percent of the published standby power rating over each 24 hour period. Up to 200 hours of annual usage may be run continuously. No overload is permitted.

Data Centre Power (DCP): Power available for variable or continuous electrical loads in a data centre application. Up to 100 percent load factor is permitted for unlimited time. An overload of 10 percent permitted for one hour in every 12 hours of operation. DCP power definition relies on ISO8528-1 2018 standard to be followed by generator set manufacturer, and will support Tier I to Tier IV classifications of data centres as per UPTIME institute guidelines.

Limited-time running power (LTP): maximum of 500 hours per year with an average load factor of 100 percent load factor of the published LTP power.

Continuous Operating Power (COP): Unlimited hours usage with an average load factor of 100 percent of the published continuous operating power. No overload is permitted on continuous operating power.

All information in this document is substantially correct at time of printing and may be altered subsequently.
 Photographs are for illustrative purposes only and may not reflect final specification.
 Final weight and dimensions will depend on completed specification.
 Information subject to selected configuration, and subject to change without notice.
 All data based on operation to ISO 3046/1:2002 standard reference conditions.
 PN3249EN-01 (05-22) Produced in England ©2022 Perkins Engines Company Limited